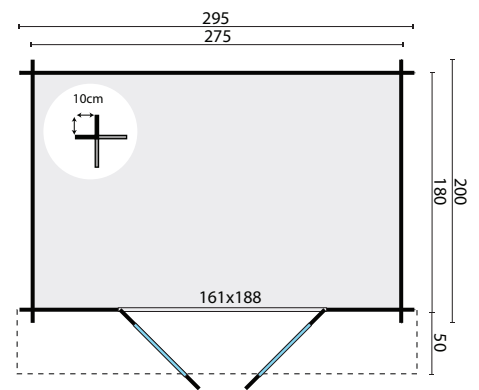


# TUINDECO

LEADING IN GARDEN PRODUCTS

# 40.0201 Anja



All sizes are approximate and in cm

 4,7m<sup>2</sup>

 10,0m<sup>3</sup>

 8,3m<sup>2</sup>



-

 28mm

 4mm

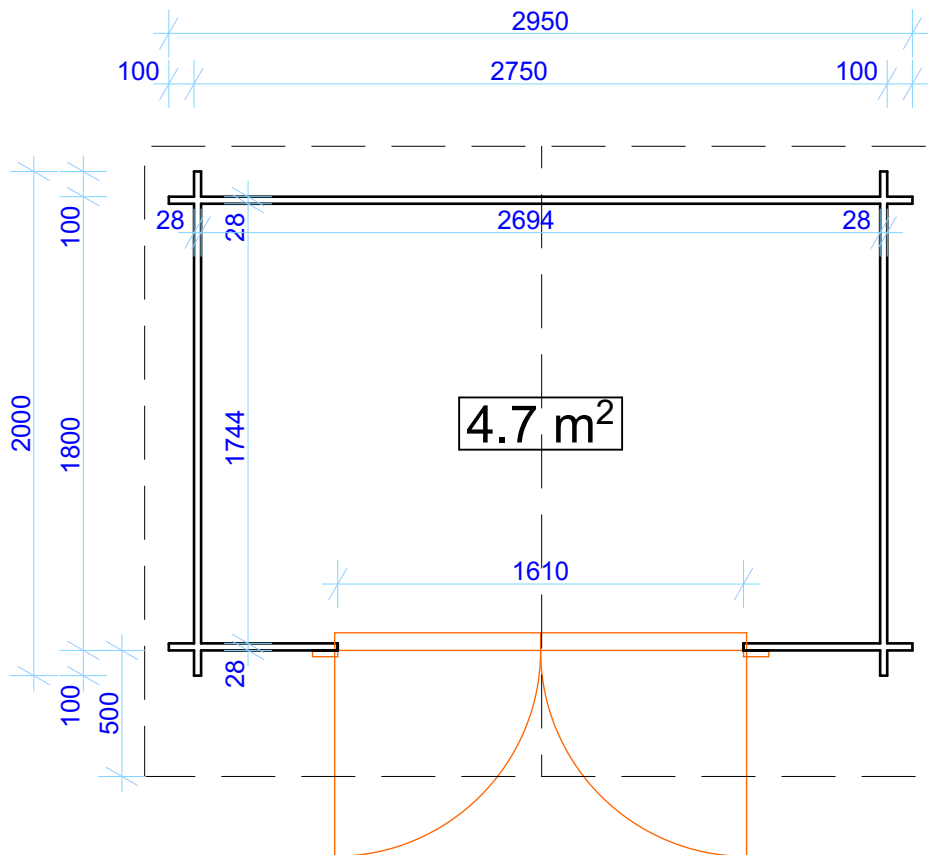


404kg



400x114x38cm

**cabin:  
Anja**



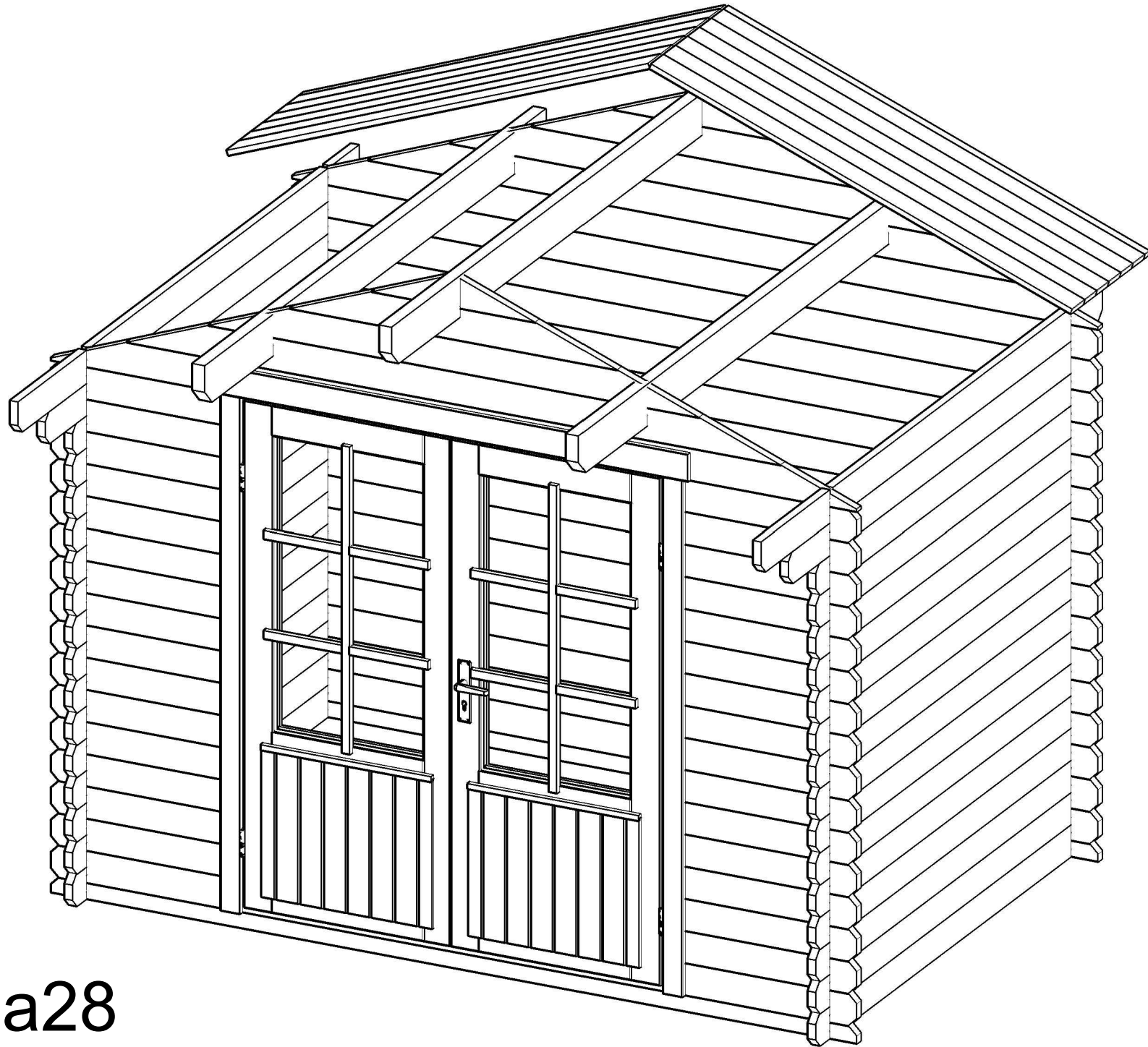
Size (m) 2,95 (+0,5 m overhang) x 2,00

Lower Wall Height 1940 mm

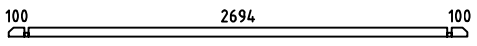
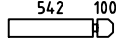
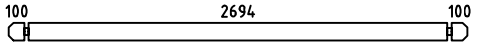
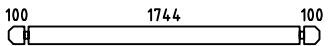
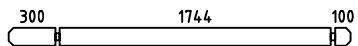
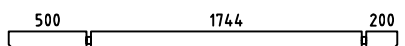
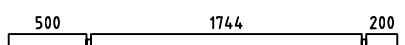
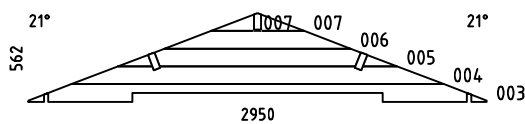
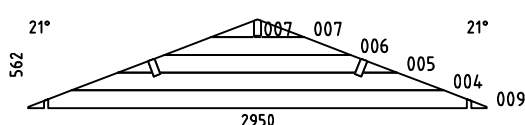
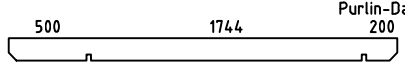
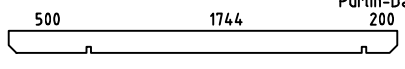
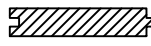

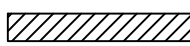


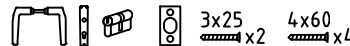
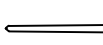
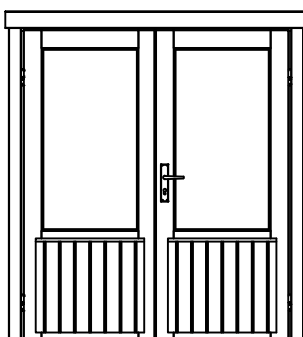
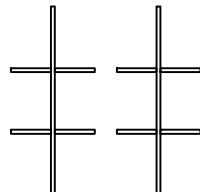
Ridge Height 2450 mm

Wall log 28 mm

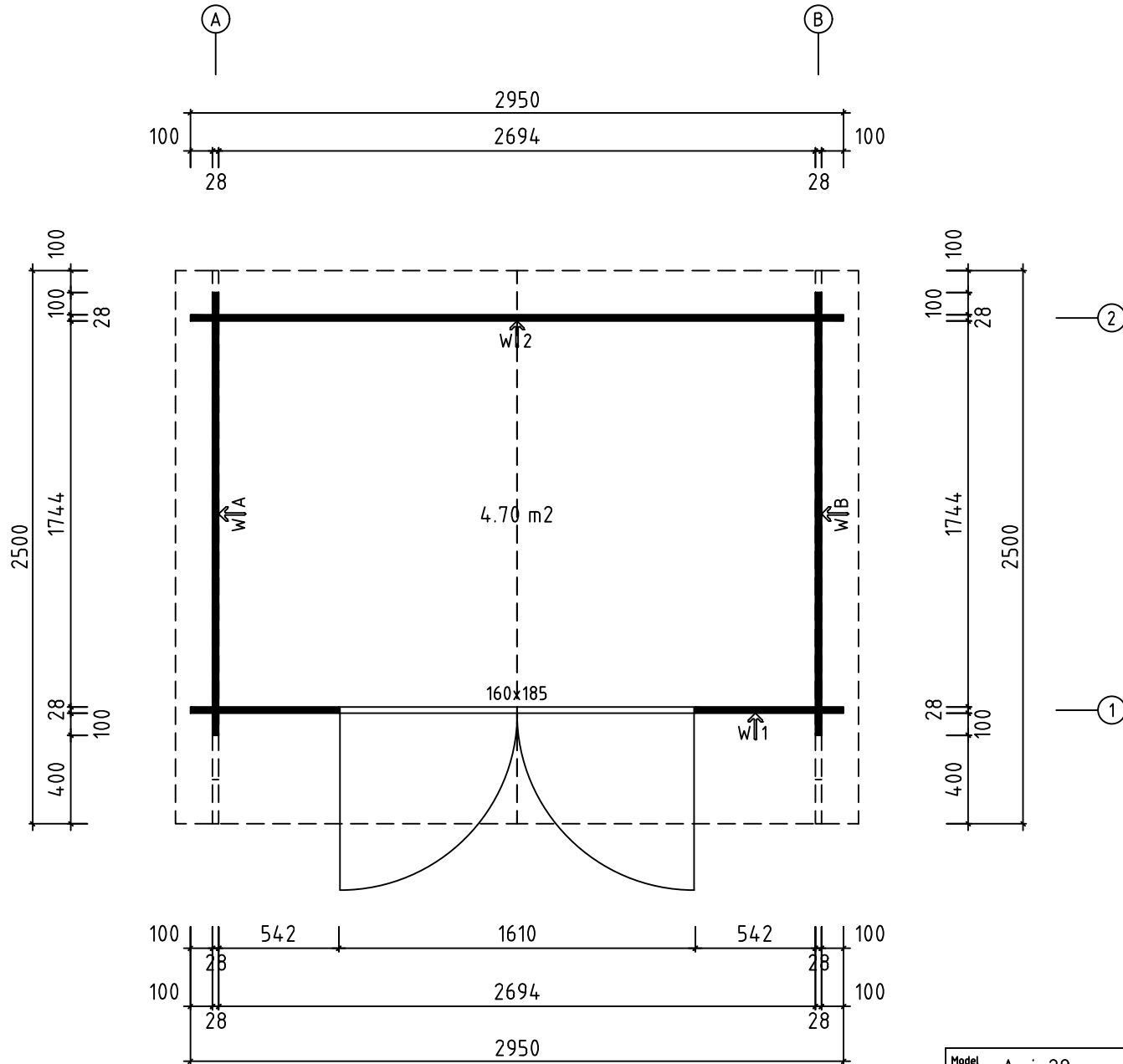
	id	size (h x w)	Pcs
Doors	DGD-2	1880 x 1610 mm	1



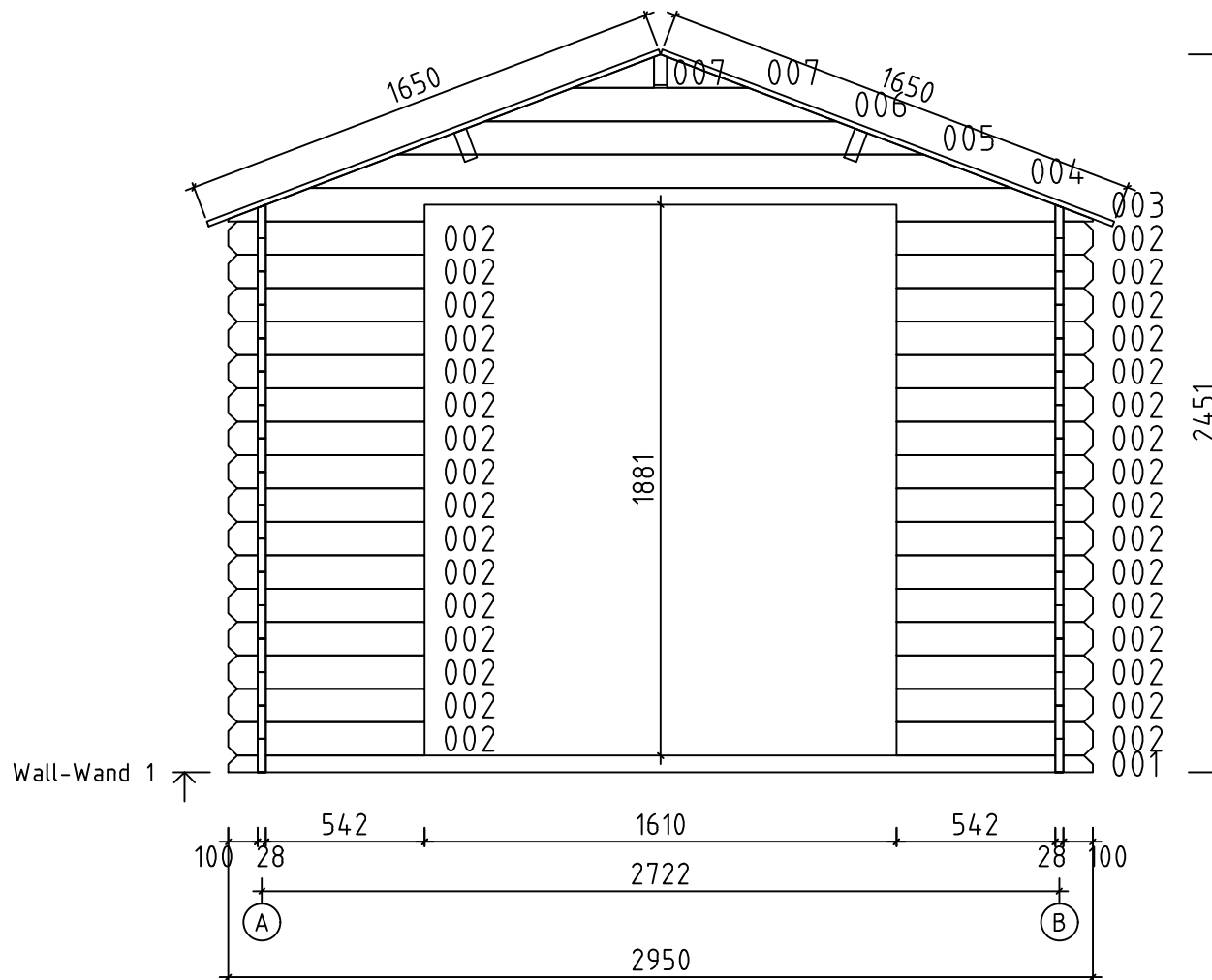
Anja28

Pos	Specification-Spezifikation-Specificatie	St.	Profile (mm)	Length (mm)
001		2	28x57	2950
002		32	28x114	670
008		16	28x114	2950
010		30	28x114	2000
011		2	28x114	2200
012		1	28x114	2500
013		1	28x114	2500
W1-1		1		
W2-1		1		
PR1	 Purlin-Dakbalk-Dachpfette	2	44x144	2500
PR2	 Purlin-Dakbalk-Dachpfette	1	44x144	2500
DP-1	Roof board-Dachbrett-Dakplank 	58	88x18	1650
L-1	Eave Slat-Traufenleiste-Afdekljst 	2	40x18	2500
L-2	Facia Board-Giebelblende-Gevelplank 	4	18x120	1690
L-3	Facia Slat-Giebelleiste-Gevelljst 	4	40x18	1690
D1	Diamond 	2		
	Double Door Set-Doppeltür Satz-Dubbele Deur Set 	1		
	Nail-Nagel-Spijker 1.6x30 	15	1.6x30	
	DOOR 1600x1850  Door Glazing Bar Türsprossen Deurroeden 	1		
Kood	Materjal	File	Anja28.dwg	Leht 1/1

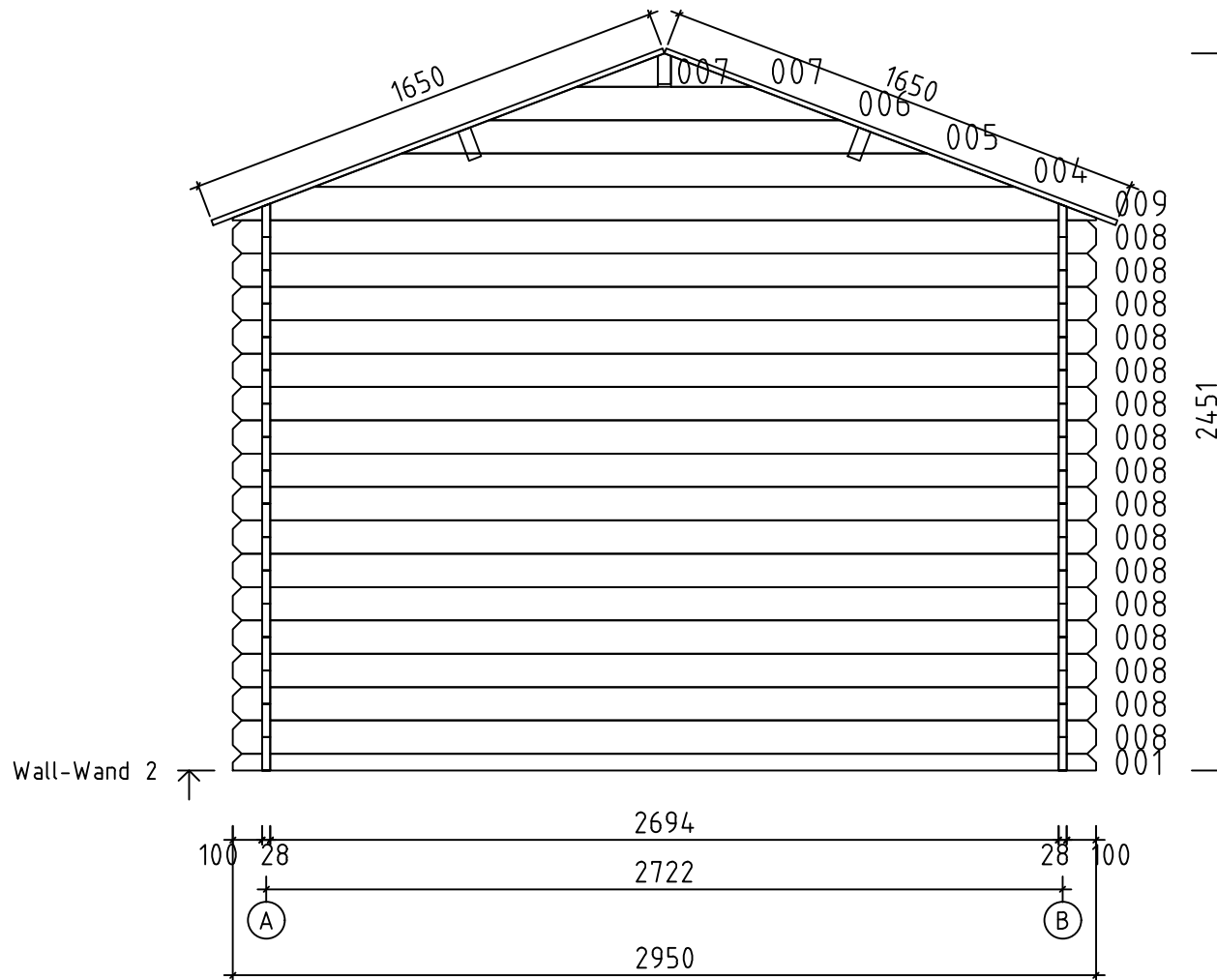
H = 1.700 m  
 TOTAL: 4.70 m<sup>2</sup>



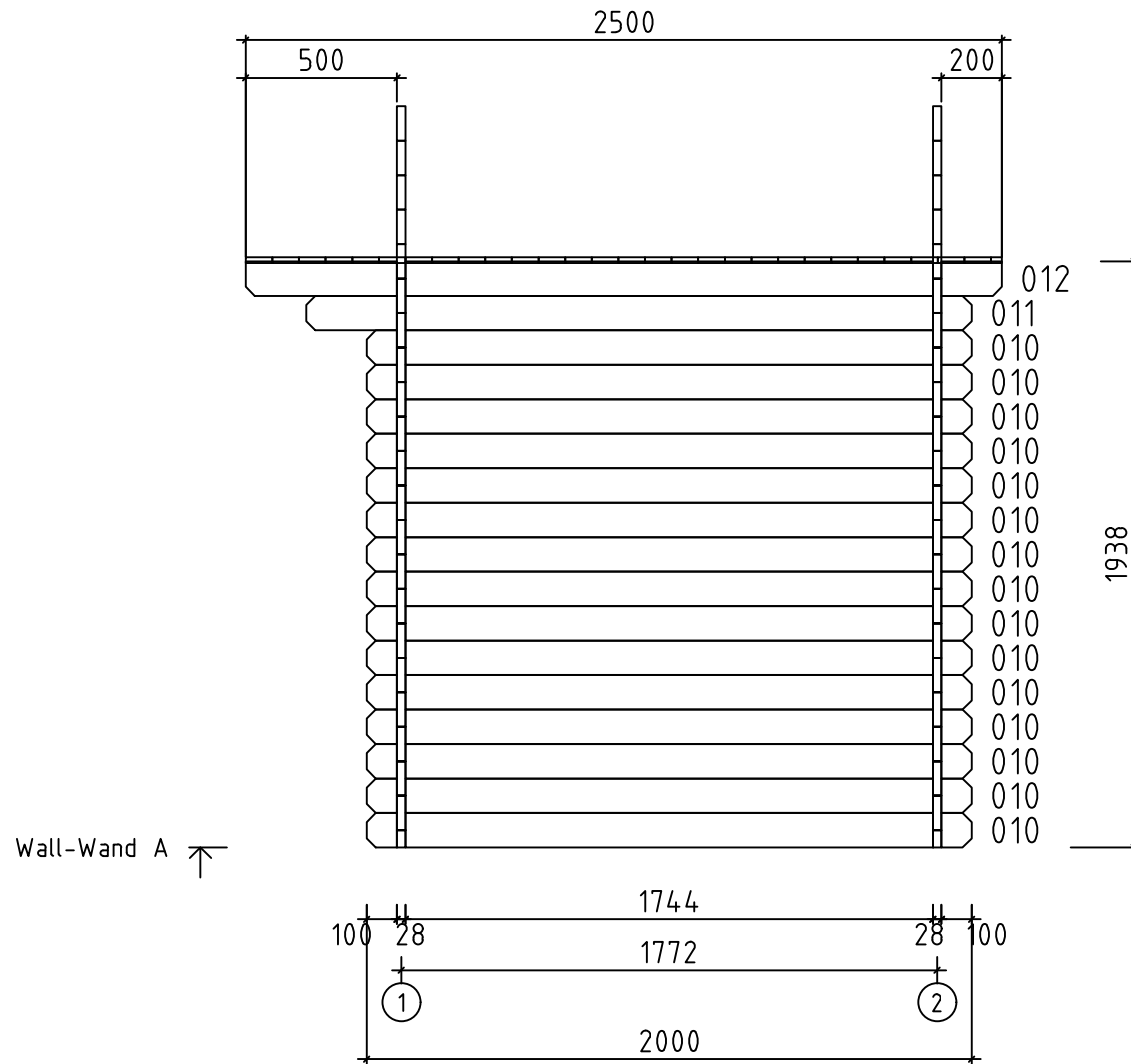
Model	Anja28	Page	
Client		Scale	1:25
Material	28x114	Date	10.11.2021
Company		File	Anja28.dwg



Model	Anja28	Page	4
Client		Scale	1:25
Material	2.8x11.4	Date	10.11.2021
Company		File	Anja28.dwg

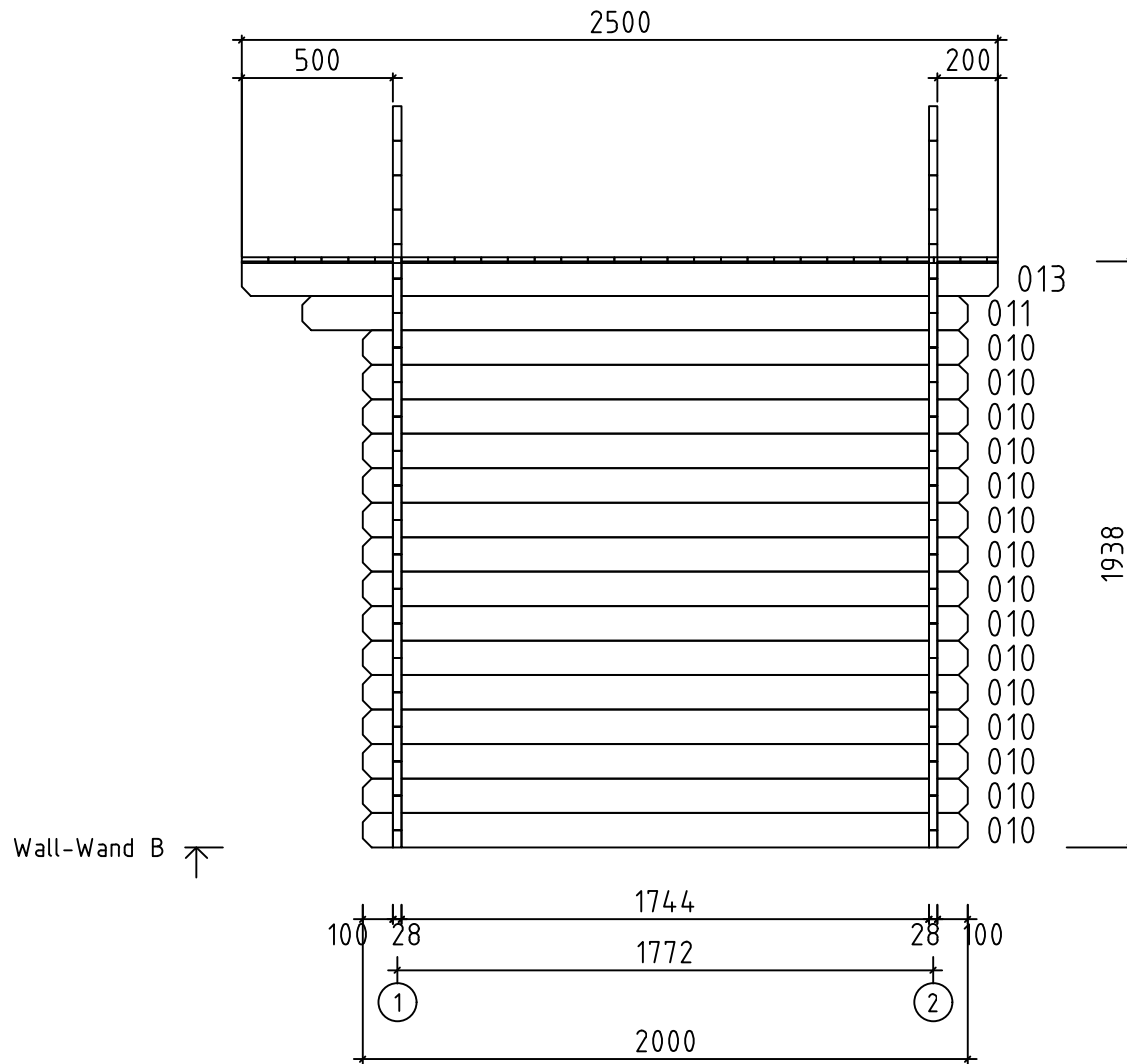


Model	Anja28	Page	5
Client		Scale	1:25
Material	2.8x11.4	Date	10.11.2021
Company		File	Anja28.dwg

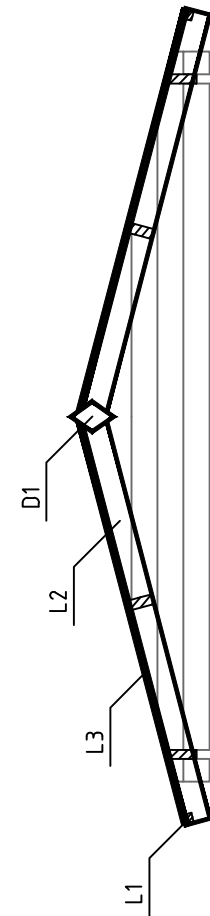
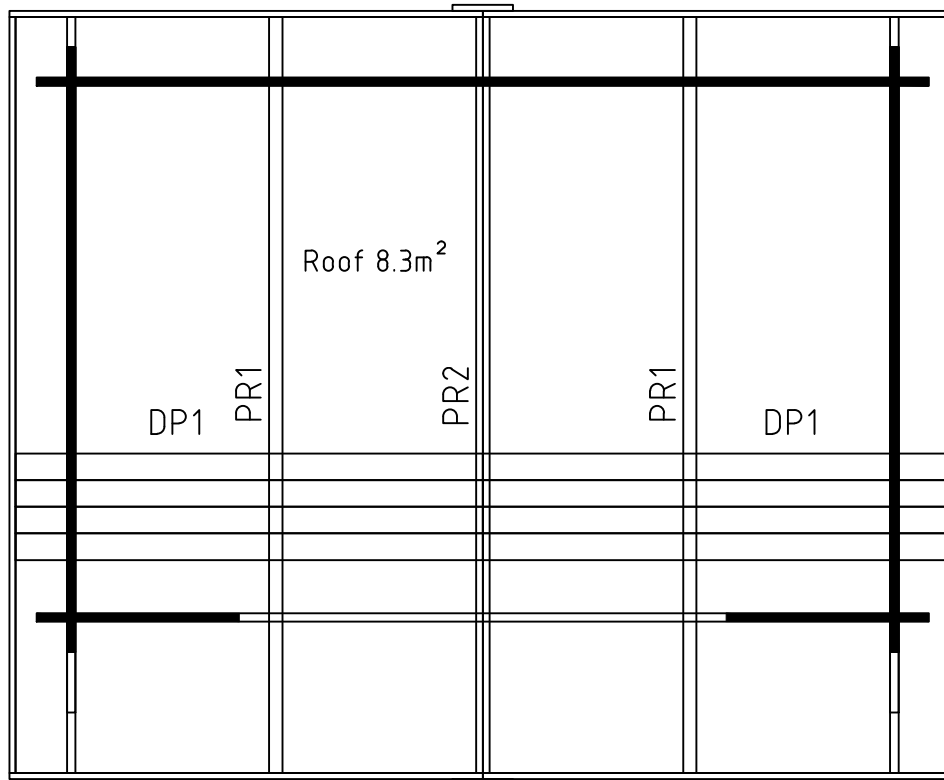


Model	Anja28	Page	2
Client		Scale	1:25
Material	2.8x11.4	Date	10.11.2021
Company		File	Anja28.dwg

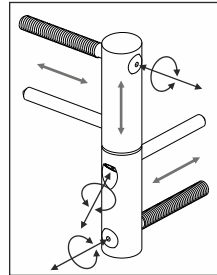
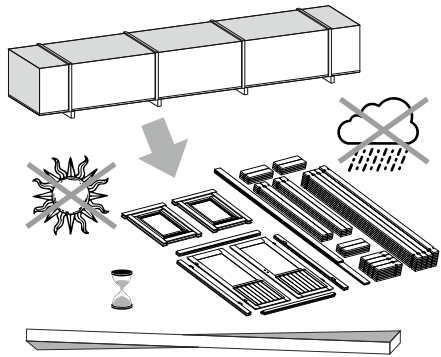
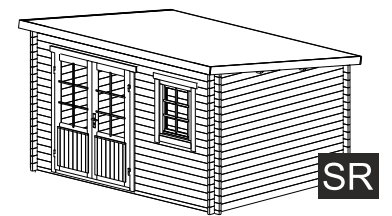
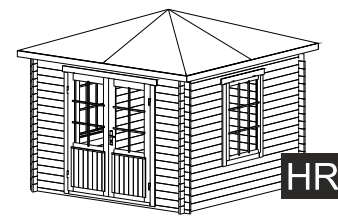
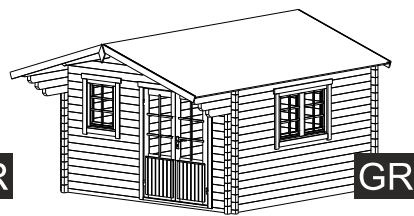
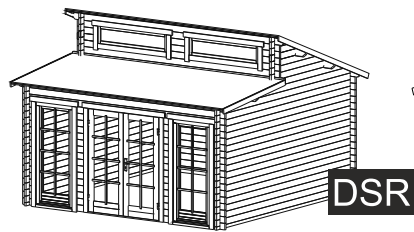
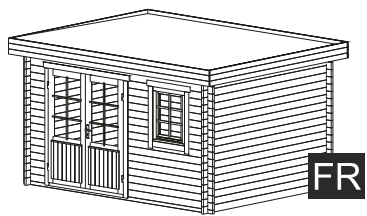




Model	Anja28	Page	3
Client		Scale	1:25
Material	2.8x11.4	Date	10.11.2021
Company		File	Anja28.dwg

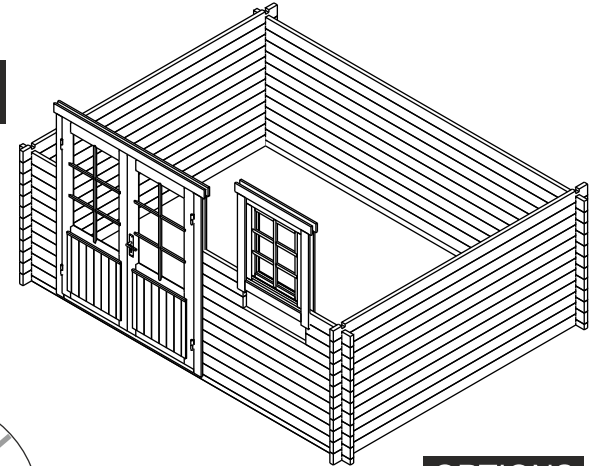


Model	Anja28	Page	
Client		Scale	1:25
Material	28x114	Date	10.11.2021
Company		File	Anja28.dwg

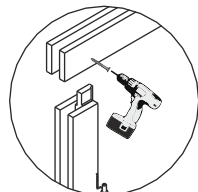
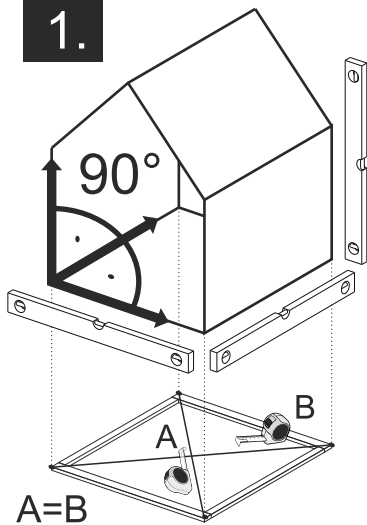


ADJUSTABLE HINGES

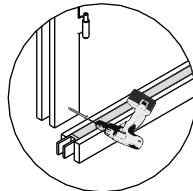
3.



1.

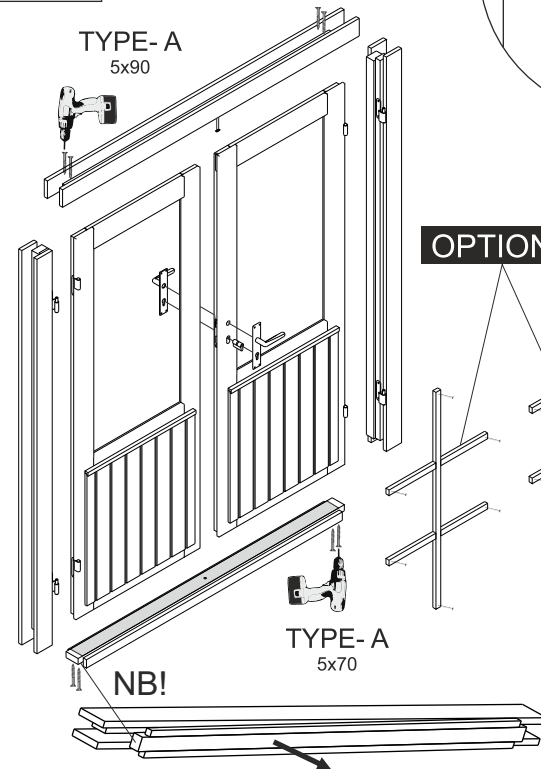


TYPE- B  
4x60

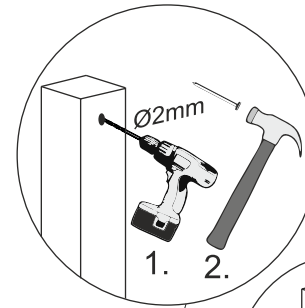


TYPE- A  
5x70

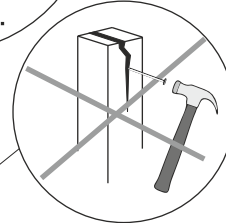
2.



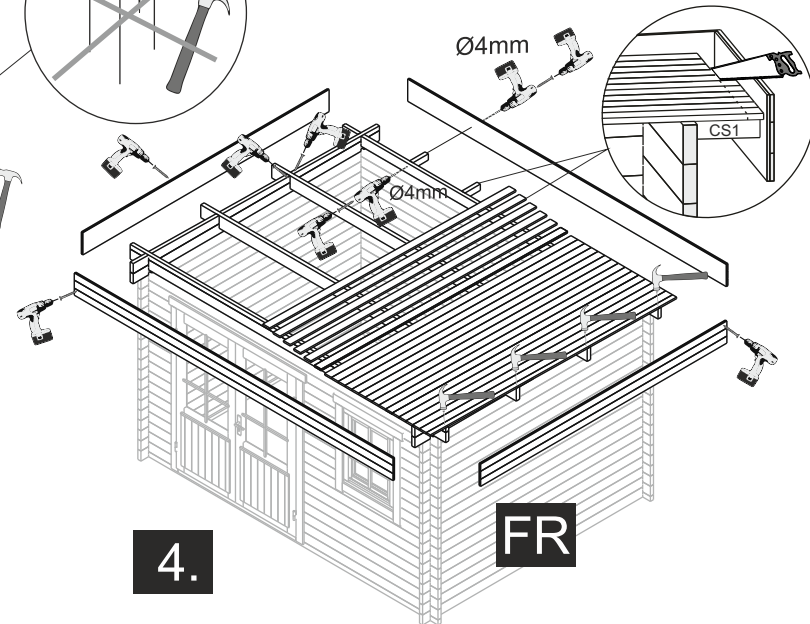
OPTIONS



1. 2.



4.



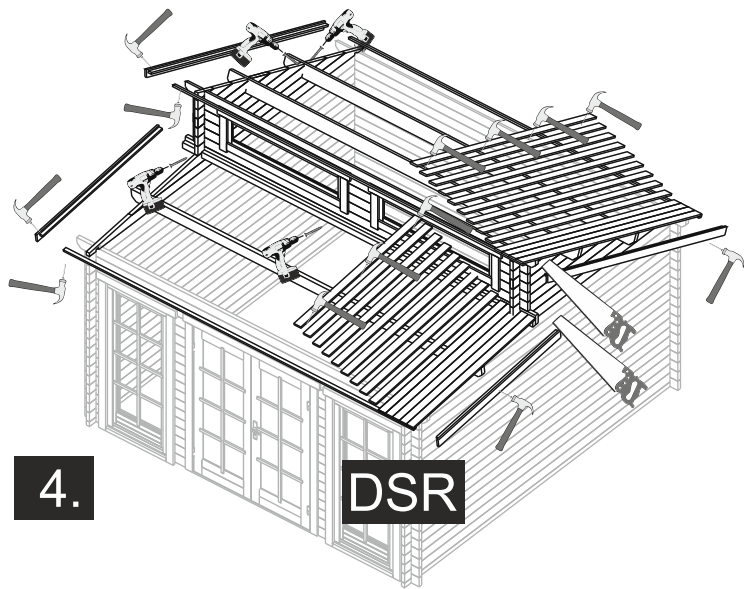
OPTIONS

Ø4mm

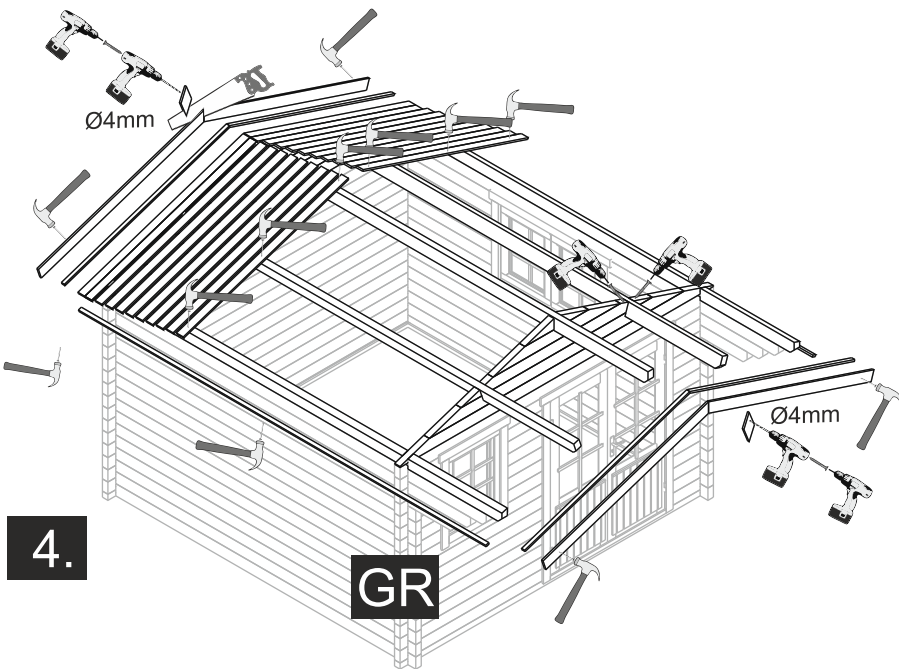
Ø4mm

FR

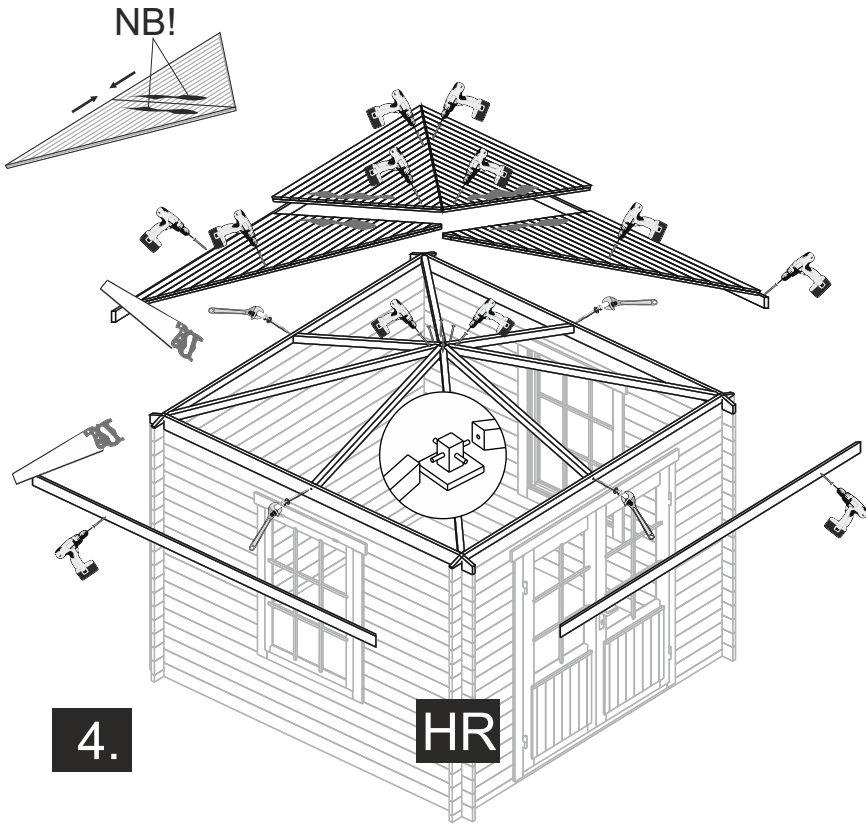
The guide is illustrative. This guide is not project specification.  
Der Leitfaden ist illustrativ. Dieser Leitfaden ist keine Projektspezifikation.  
De gids is illustratief. Deze gids is geen projectspecificatie.



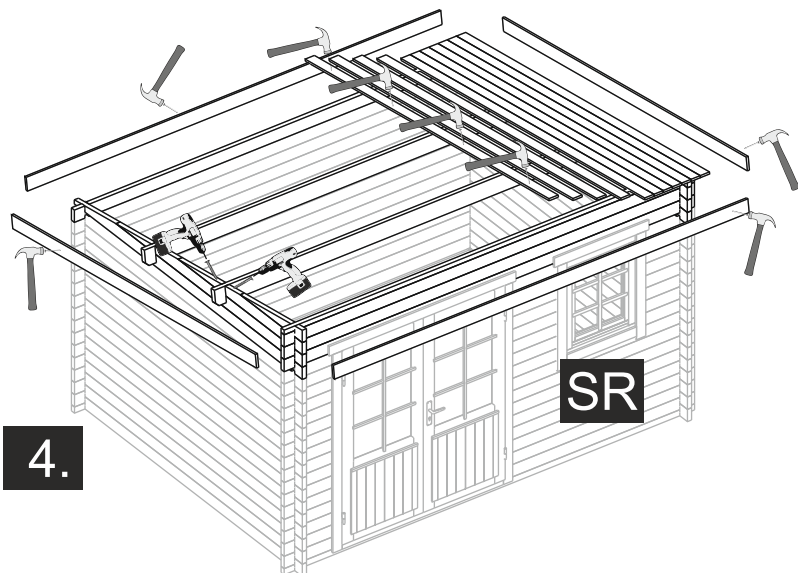
**DSR**



**GR**



**HR**



**SR**

**OPTIONS**

